

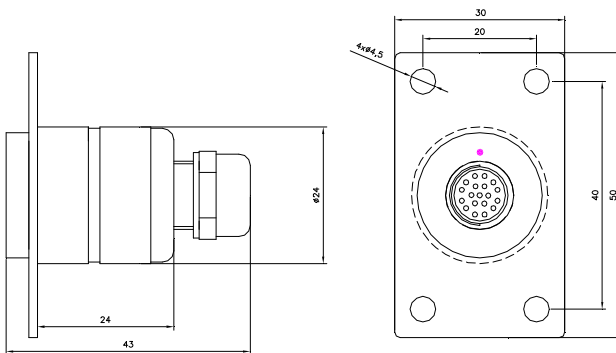
Type 1189B

Multi pin connector cavity temperature

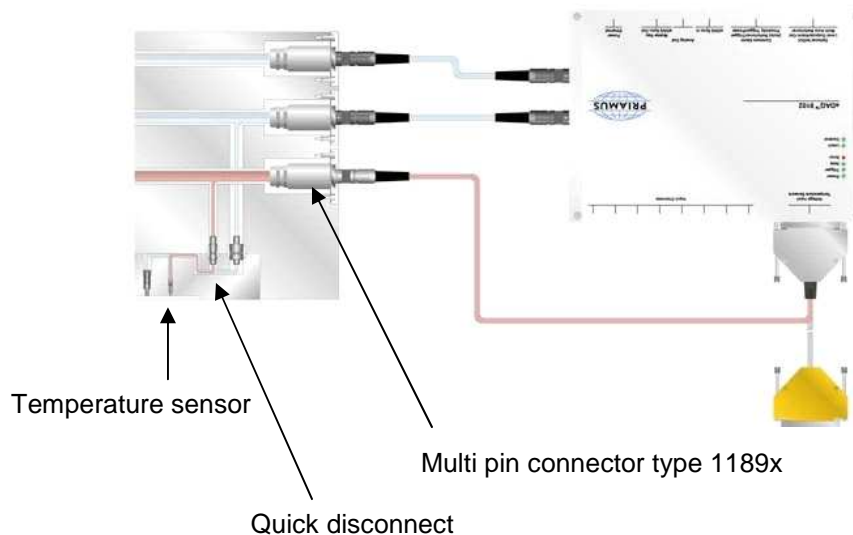
- Easy handling
- Cost-effective (less cables are being needed)
- Can be assembled by the user
- Can be combined with sensors and quick disconnects
- Self-explanatory due to a clever color system



Dimensions

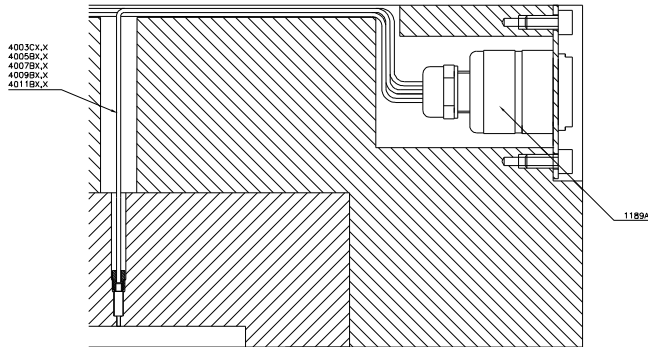


Multi pin technology

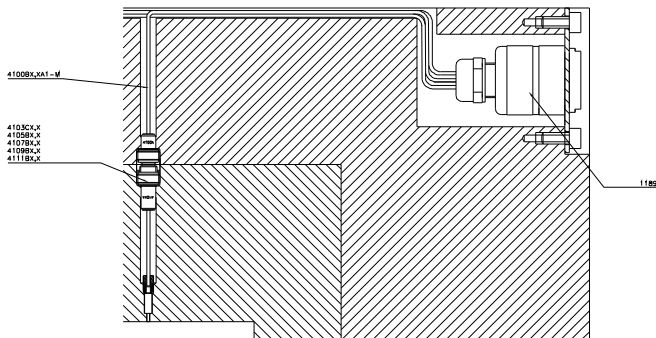


Connection samples

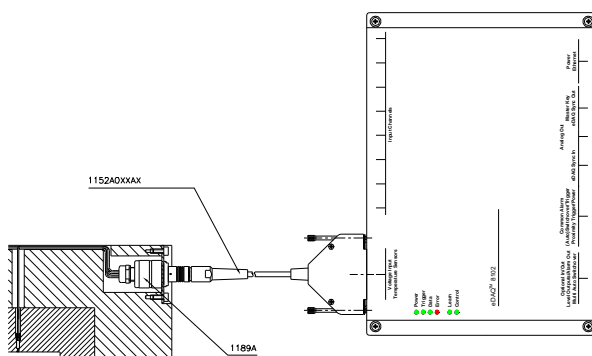
Measuring chain with sensor



Measuring chain with sensor and quick disconnect



Measuring chain with 4-/8 channels



Order code

Type 1189B

Accessories

Ejector tool for crimp contacts, type 1310A
 Crimping pliers, type 1311A
 Crimping contacts, type 1312A