

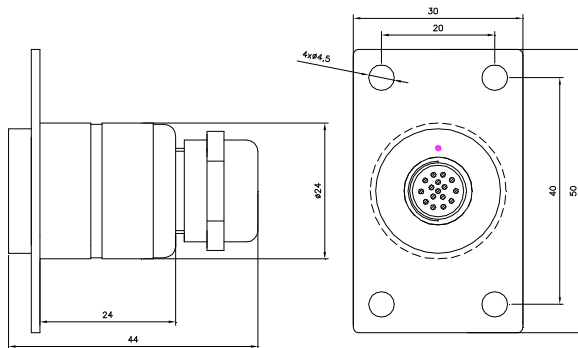
Type 1190B

Multi pin connector cavity pressure

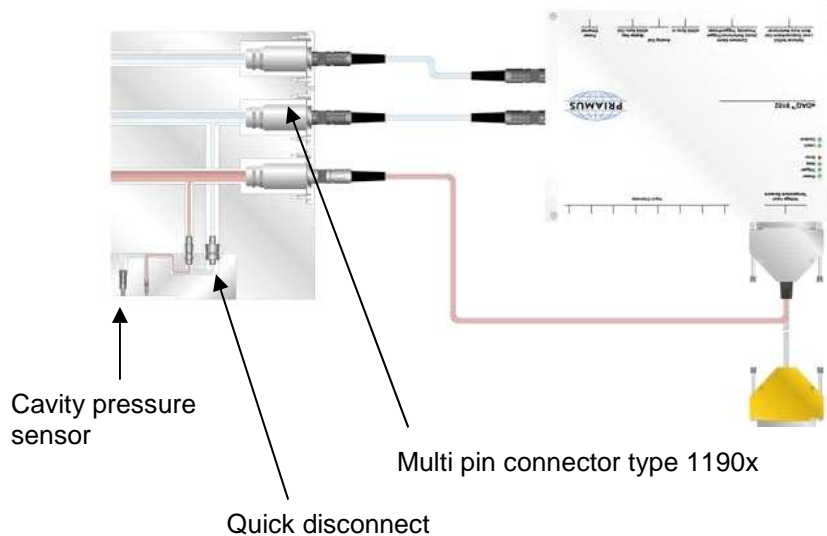
- Easy handling
- Cost-effective (less cables are being needed)
- Can be assembled by the user
- Can be combined with sensors and quick disconnects
- Self-explanatory due to a clever color system
- Sensitivity detection



Dimensions

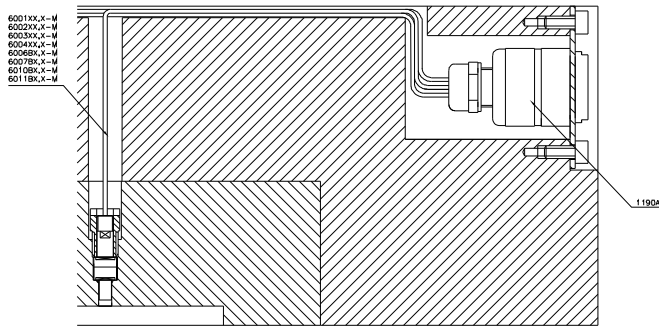


Multi pin technology

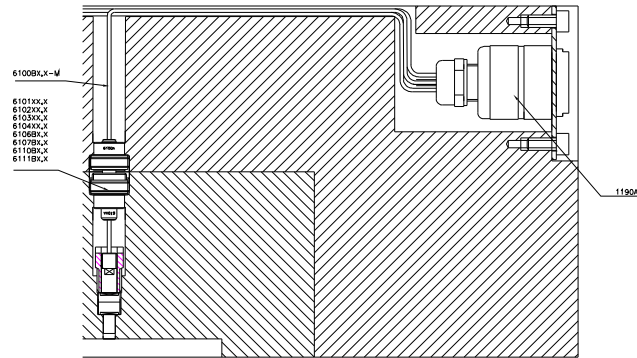


Connection samples

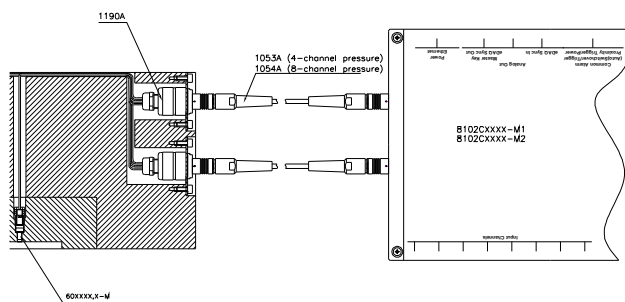
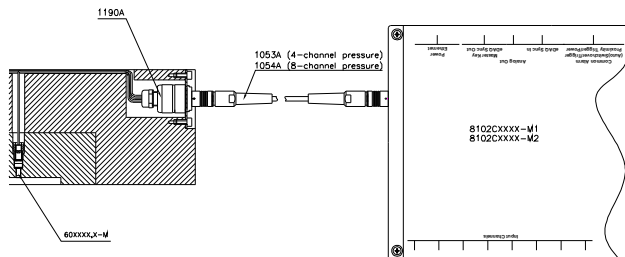
Measuring chain with sensor



Measuring chain with sensor and quick disconnect



Measuring chain with connecting cable



Order code

Type 1190B

Accessories

Ejector tool for crimp contacts, type 1310A
Crimping pliers, type 1311A
Crimping contacts, type 1312A