

## Multi-Channel Connecting Box for Pressure Signals Type 1195A-8p

- Easy handling, safe and noise-free
- Can be combined with Compact Sensors and Quick Disconnects
- Connecting cables cannot be interchanged
- Up to 8 pressure signals via one connecting cable
- For sensors with and without Automatic Sensitivity Detection PRIASED®



### Description

Cable connections have always been the weak point in the design of cavity sensors. On the one hand, 2-pin connectors are difficult to plug in and on the other hand some of the available cable concepts simply do not provide proper shielding.

PRIAMUS has developed a completely new connection concept for cavity pressure and temperature sensors.

In this connecting concept, the individual sensor cables are being connected to the robust multi-channel connecting boxes. The multi-channel connecting boxes are being mounted directly on the mold plate or in a milled slot without the bottom of the housing to save space.

The cable management is considerably simplified, as only one connecting cable is required to connect up to 8 signals with the BlueLine amplifiers. This solution provides significant improvement in signal quality and consistency compared to other available methods such as the «single-wire» concept.

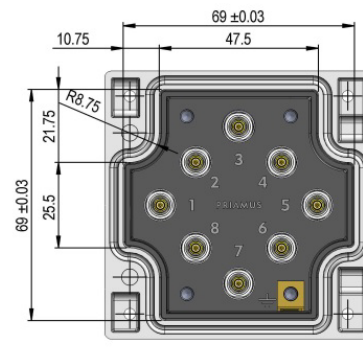
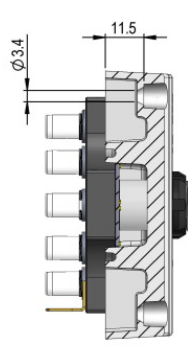
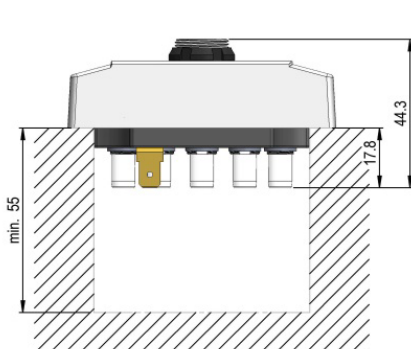
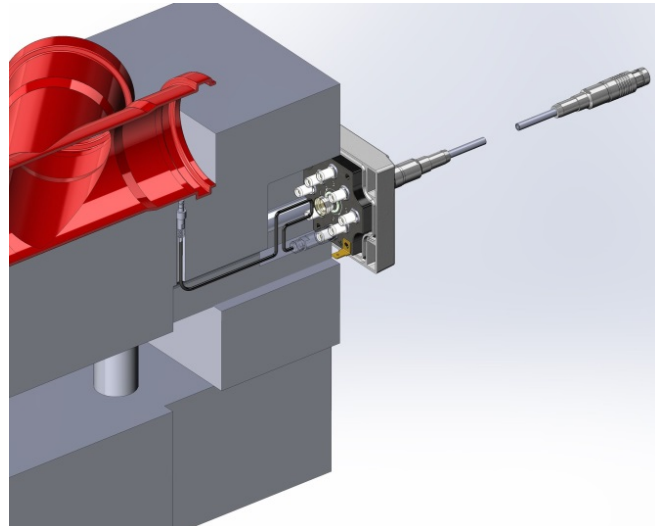
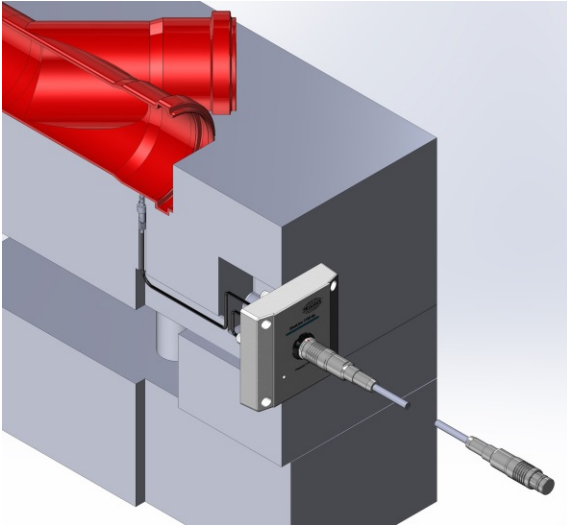
For applications with many measuring channels, several connecting boxes can be installed in a row.

Both Cavity Pressure Sensors with and without Automatic Sensitivity Detection PRIASED® can be connected. The scope of delivery includes 4 fixing screws, to fix the Multi-Channel Connecting Box to the housing or directly on the mold plate.

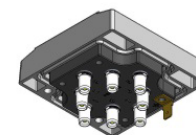
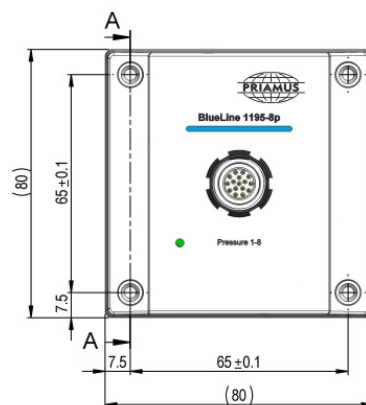
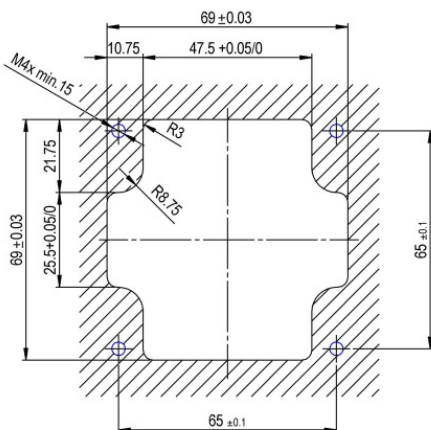
### General Technical Data

Property	Specification
Dimensions (L x W)	80 x 80 mm
Weight	0.568 kg
Working temperature range	0 ... 125 °C
Storage temperature range	-10 ... 125 °C
Protection Class	IP65
RoHS-compliant	Yes

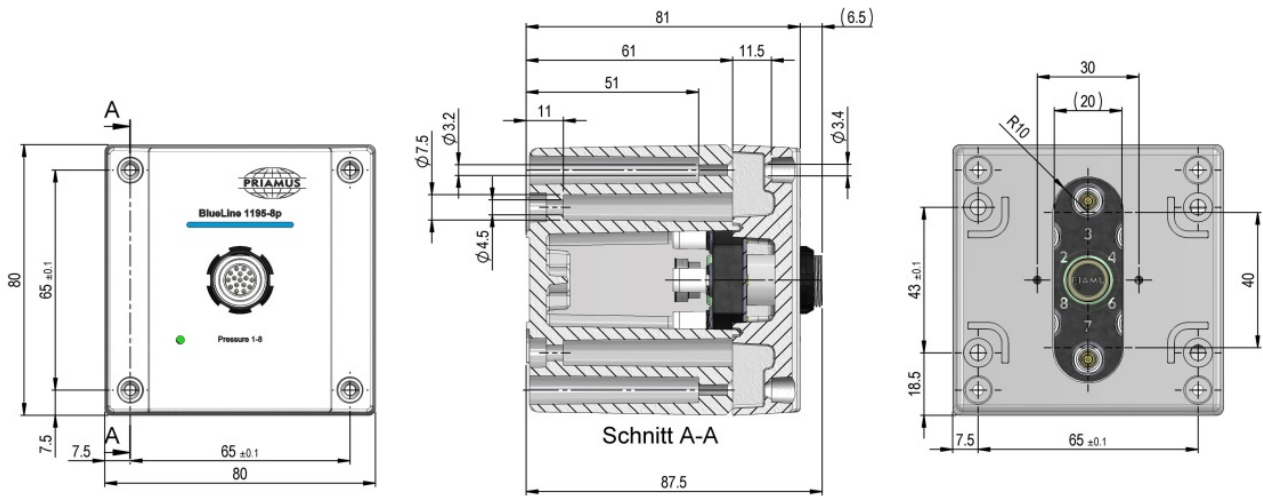
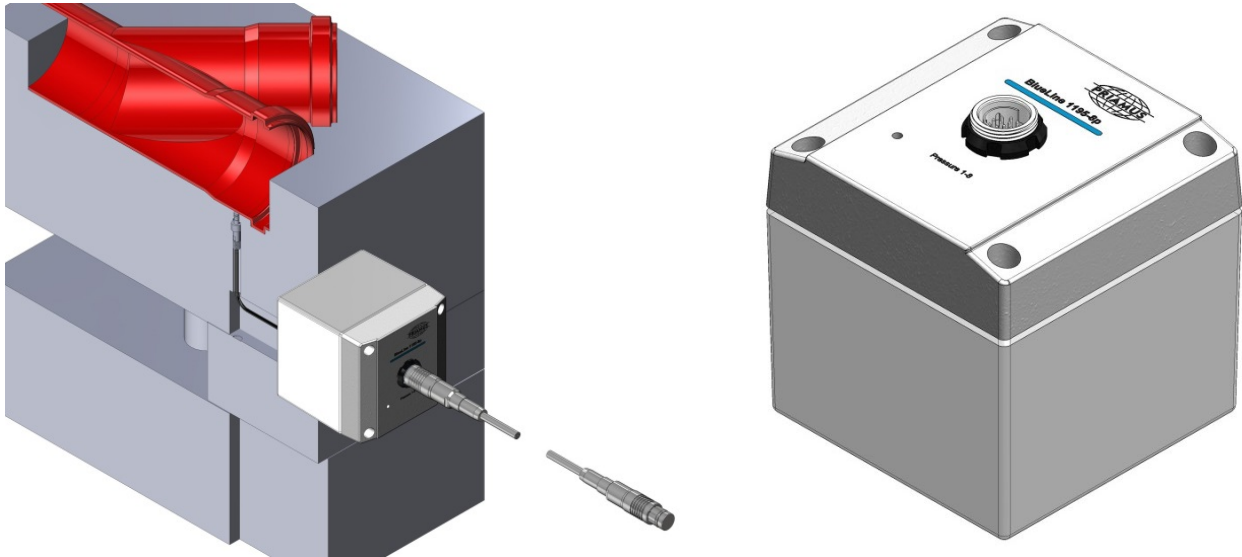
**Mounting without Housing directly on the Mold Plate**



A-A



**Mounting with Housing on the Mold Surface**



## Bottom Side Connections



The connectors for the BlueLine Cavity Pressure Sensors types 60xx x.x-102 guarantee a secure and noise-free connection.

## Scope of Delivery and Accessories

Type number	Article
1041Ax	BlueLine connection cable for cavity pressure sensors Single-pin, with plastic sheath Both sides: Fischer connector type S 102 pos. TRIAX
1043Bx	BlueLine extension cable for cavity pressure sensors With metal sheath Side 1: Fischer connector type S 102 pos. TRIAX Side 2: Fischer connector type KBE 102 neg. TRIAX
1045Bx	BlueLine connection cable for cavity pressure sensors Multi-pin, with plastic sheath Side 1: Fischer connector type S 104 neg., 16-pin (Code 1) Side 2: 4 x Fischer connector type S 102 pos. TRIAX
1047Ax	BlueLine connection cable for cavity pressure sensors Multi-pin, with plastic sheath Side 1: Fischer connector type S 104 neg., 16-pin (Code 1) Side 2: Fischer connector type S 102 pos. TRIAX
1049Bx	BlueLine connection cable for cavity pressure sensors Single-pin, with plastic sheath Both sides: Fischer connector type S 102 pos. TRIAX

DS1195\_067e Ed. 08.2020  
 Subject to technical amendments  
 Projection method: First Angle Projection

Type number	Article
1054Bx	BlueLine connection cable for cavity pressure sensors Multi-pin, with plastic sheath Both sides: Fischer connector type S 104 neg., 16-pin (Code 1)
1141Ax	BlueLine connection cable for cavity temperature sensors Single-pin, with plastic sheath Both sides: Fischer connector type S 101 pos. TRIAX
1142Bx	BlueLine extension cable for cavity pressure sensors Single-pin, with metal sheath Side 1: Fischer connector type S 101 pos. TRIAX Side 2: Fischer connector type KBE 101 neg. TRIAX
1144Ax	BlueLine connection cable for cavity temperature sensors Multi-pin, with plastic sheath Both sides: Fischer connector type S 104 neg. 19-pin (Code 2)
1145Ax	BlueLine connection cable for cavity temperature sensors Multi-pin, with plastic sheath Side 1: Fischer connector type S 104 neg. 19-pin (Code 2) Side 2: Fischer connector type S 101 pos. TRIAX
1147Bx	BlueLine connection cable for cavity temperature sensor Multi-pin, with plastic sheath Side 1: Fischer connector type S 104 neg. 19-pin (Code 2) Side 2: 4 x Fischer connector type S 101 pos. TRIAX
1149Bx	BlueLine connection cable for cavity temperature sensors Single-pin, with metal sheath Both sides: Fischer connector type S 101 pos. TRIAX
1194A-8T	BlueLine multi-channel connecting box for temperature signals For connecting a maximum of 8 cavity temperature sensors
5070A-2p2T-VARAN	BlueLine pressure and temperature amplifier VARAN Pressure: 2 x Single-channel connectors Fischer type 102 TRIAX / BNC Temperature: 2 x Single-channel connectors Fischer type 102 TRIAX
5080A-4p	BlueLine amplifier for cavity pressure signals with 4 channels 4 x single-channel connectors Fischer type 102 TRIAX
5080A-16p	BlueLine amplifier for cavity pressure signals with 16 channels 2 x multi-channel connectors Fischer type 104, 16-pin
5080A-4T	BlueLine amplifier for cavity temperature signals with 4 channels 4 x single-channel connectors Fischer type 101 TRIAX
5080A-16T	BlueLine amplifier for cavity temperature signals with 16 channels

Type number	Article
	2 × multi-channel connector Fischer type 104, 19-pin
8280C	BlueLine Core Control unit for monitoring and controlling of the injection molding process
8911A	BlueLine signal tester set Test device for checking cavity temperature and cavity pressure sensors. Complete set with numerous accessories in foam case
8952A	BlueLine signal tester Test device for checking cavity temperature and cavity pressure sensors.
8980C	BlueLine I/O Master Basic module for transmitting control signals between the injection molding machine and the BlueLine system.
8981A	BlueLine I/O Expander Extension module for transmitting control signals between the injection molding machine and the BlueLine system.
8982A	BlueLine Bus Interface Coupling module between I/O modules for mounting on top hat rail bus, for transmitting control signals between the injection molding machine and the BlueLine system.
8983A	BlueLine Voltage input module For collecting voltage signals of the injection molding machine
8984A	BlueLine control cabinet Control cabinet with transparent front door for maximum 64 switching signals With 1 BlueLine I/O Master type 8980C and optionally 1–4 BlueLine I/O Expander type 8981A
8985A	BlueLine control cabinet Control cabinet with transparent front door for maximum 96 switching signals with 1 BlueLine I/O Master type 8980C and optionally 1–6 BlueLine I/O Expander type 8981A
9015A	BlueLine inductive switch for easy starting and measuring
9016A	BlueLine power supply unit for: - BlueLine amplifiers types 5080A - BlueLine Core type 8280C
9080A	BlueLine top hat rail bus For mounting of several interconnected BlueLine devices such as I/O Master or I/O Expander